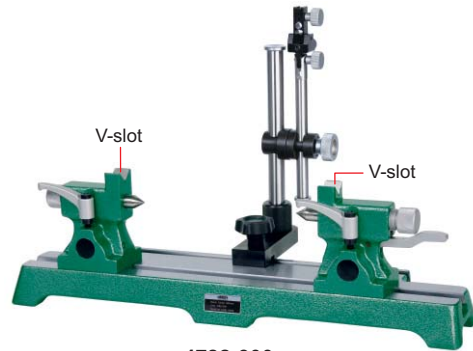
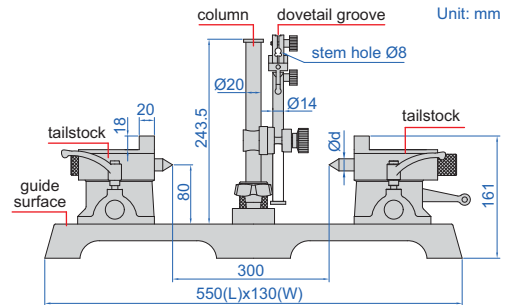


BENCH CENTER (BASIC TYPE)

- Hardened cast-iron guide surface
- Movable column
- V-slot for cylinder $\varnothing 4\sim\varnothing 22\text{mm}$



4782-300



Unit: mm

Code	Parallelism*	Runout accuracy	Center height	Distance between two centers	Diameter of center ($\varnothing d$)	Load
4782-300	0.01mm	2 μm	80mm	300mm	$\varnothing 16\text{mm}$	25kg

*Parallelism of two centers to the guide surface